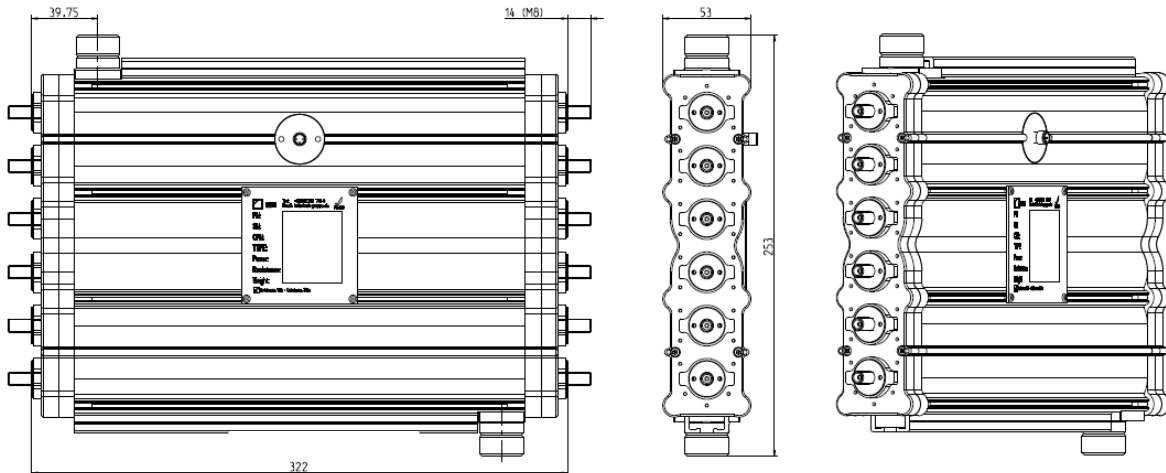


Installation advice for Liquid Cooled Power Resistors

LCPR



Please read carefully before assembly and initial operation!

	Title	Description
A S S E M B L Y	Connection coolant medium	<ul style="list-style-type: none"> • 3/4" AG DIN ISO 228-1 • Maximal torque: 30Nm • Usage of a flexible tube • The outer surfaces of the insulation material (black) are not permitted to be moistened with humidity or the coolant medium. They possibly have to be cleaned (e.g. Isopropanol)
	Electrical connection power	<ul style="list-style-type: none"> • M8 external thread • Maximal torque: 15Nm • Minimal torque: 7Nm • Radial forces on the connecting bolts have to be avoided • Usage of flexible connecting cables
	Mounting position	<ul style="list-style-type: none"> • Intake below, drain above • A horizontal assembly (as shown above) is recommended
	Mounting sequence	<ul style="list-style-type: none"> • Fixation of resistor with slot nuts first, <u>subsequently</u> electrical and hydraulic connections will be made.

	Title	Description
S T A R T - U P	Coolant medium	<ul style="list-style-type: none"> Corrosion protection ANTIFROGEN N min. 20% to max. 50% Water PH-value 5,5 to 9,0 Grain size of carried particles < 100µm Operation only within a closed cooling circuit Cooling system and resistor have to be vented completely
	Pressure	<ul style="list-style-type: none"> maximal operation pressure: ≤3,0 bar minimal operation pressure: ≥1,5 bar maximal test pressure ≤6,0 bar/60s. different operation and test pressures on request
	Surrounding temperature	<ul style="list-style-type: none"> Do not put into operation at temperatures <0°C
	Protection class	<ul style="list-style-type: none"> IP00 The outer surfaces of the insulation material (black) are not permitted to be moistened with humidity or the coolant medium At contamination, all affected surfaces have to be cleaned carefully (e.g. Isopropanol)

	Title	Description
O P E R A T I O N	Cooling	<ul style="list-style-type: none"> Operation only in a closed cooling circuit Do not operate without circulating cooling medium A permanent cooling during operation has to be ensured. This has to be realized with a suitable control.
	General	<ul style="list-style-type: none"> Other parameters and characteristics (power, cooling, temperatures, flow rates etc.) are shown in the single data sheets and have to be taken into consideration!

Date: 05/2017

Document: Mounting instructions LCPR

Index: 05